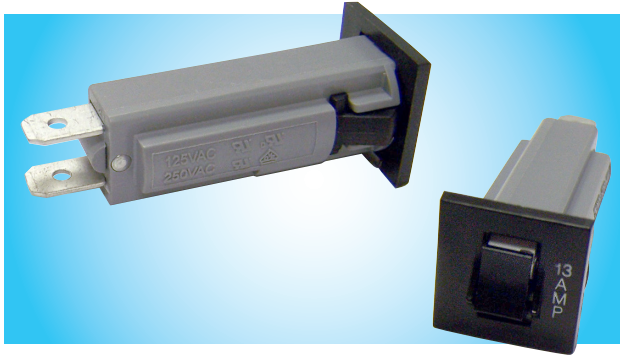


### MX15 Series

#### MANUAL RESET CIRCUIT PROTECTOR



MX15 Series manual reset circuit protector is a unique, low-cost fuse holder replacement.

The MX15 offers a trip-free mechanism with “snap-action” circuit protection. The snap-in mounting feature fits a range of panel thicknesses from 1.0 to 3.0mm.

#### EXAMPLES OF MX15 SERIES APPLICATIONS include:

- Audio Equipment
- Fitness Equipment
- Food Processing
- Household Appliances
- HVAC Equipment
- Instrumentation
- Vending Machines
- ...and many more

### SPECIFICATIONS

#### ■ Trip Time vs. Overload at 25°C

- At 100% of rated current: no trip
- 0.25A to 2.5A May trip between 101%–149%
- At 150% of rated current: trip within 1 hour
- 3.0A to 20A At 135% of rated current: trip within 1 hour
- At 200% of rated current: trip within 1 minute

#### ■ Current and Voltage Ratings

- .25A–2.5A, 125/250VAC / 32VDC
- 3A–20A, 125/250VAC / 50VDC

#### ■ Interrupt Capacity

- 0.25A to 2.5A 1000A at 250VAC, 200A at 32VAC
- 3.0A to 20A 1000A at 125VAC, 200A at 250VAC

#### ■ Dielectric Strength

- 1500VAC / 1 minute

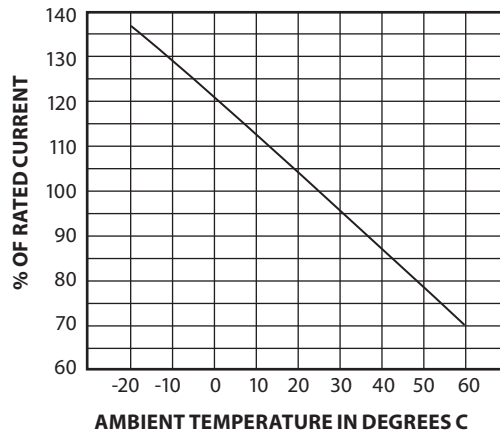
#### ■ Overload Capacity

- 10 times rated current

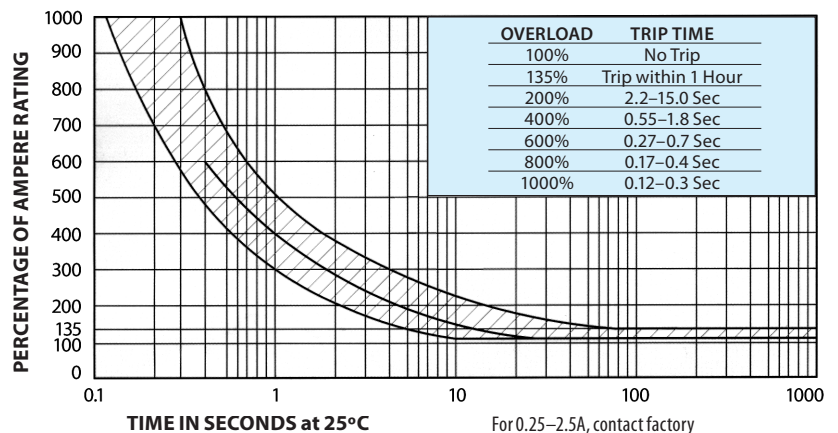
#### ■ Approvals

- UL / CUL 0.25A–15A 125/250VAC
- CSA 3A–15A 250VAC
- VDE 3A–16A
- ROHS compliant

#### TEMPERATURE DERATING CURVE



#### TRIP TIME CURVE ≥3A

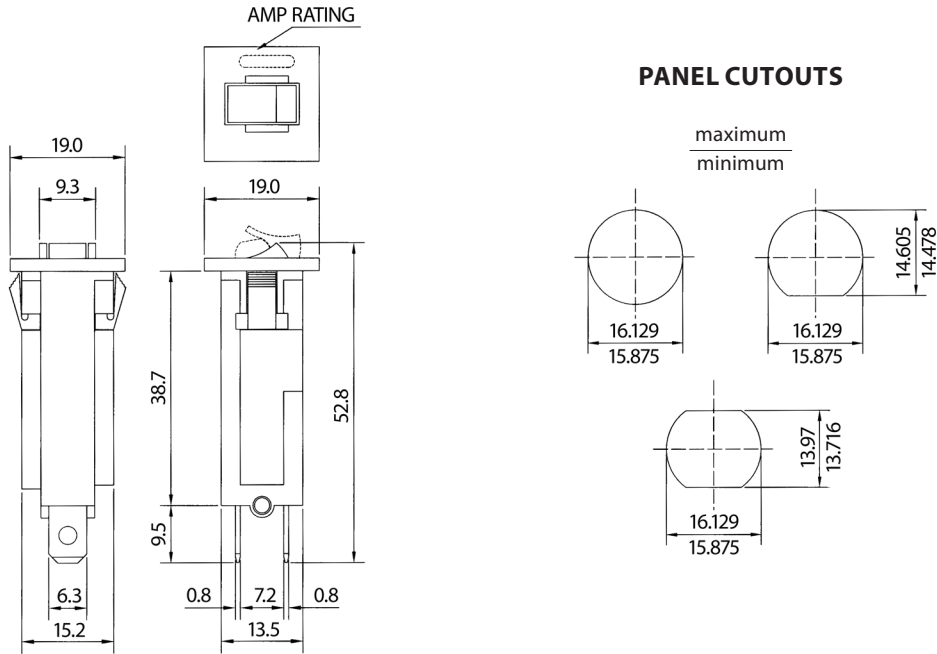


#### MAXIMUM INTERNAL RESISTANCE

3A	0.080Ω
4A	0.040Ω
5A	0.025Ω
6A–7A	0.020Ω
8A–9A	0.016Ω
10A–11A	0.012Ω
12A–13A	0.010Ω
14A–16A	0.008Ω

For 0.25–2.5A, contact factory

**DIMENSIONS in mm**



**OPTIONS SELECTION**

Series	Amps select by number	Volts select by letter
<b>MX15</b>  Manual Reset Circuit Protectors	<b>0025</b> .25A	<b>A</b> 125/250VAC/32VDC .25 to 2.5Amps
	<b>0050</b> .50A	
	<b>0075</b> .75A	
	<b>0100</b> 1.0A	
	<b>0125</b> 1.25A	
	<b>0150</b> 1.5A	
	<b>0175</b> 1.75A	
	<b>0200</b> 2.0A	<b>A</b> 125/250VAC/50VDC 3Amps and above
	<b>0225</b> 2.25A	
	<b>0250</b> 2.5A	
	<b>030</b> 3.0A	
	<b>050</b> 5.0A	
	<b>080</b> 8.0A	
	<b>120</b> 12.0A	
	<b>200</b> 20.0A	
Special amperages available between 3A and 20A		

**Example:** **MX15 030 A**  
 MX15, 3Amps, 125/250VoltsAC / 50VoltsDC